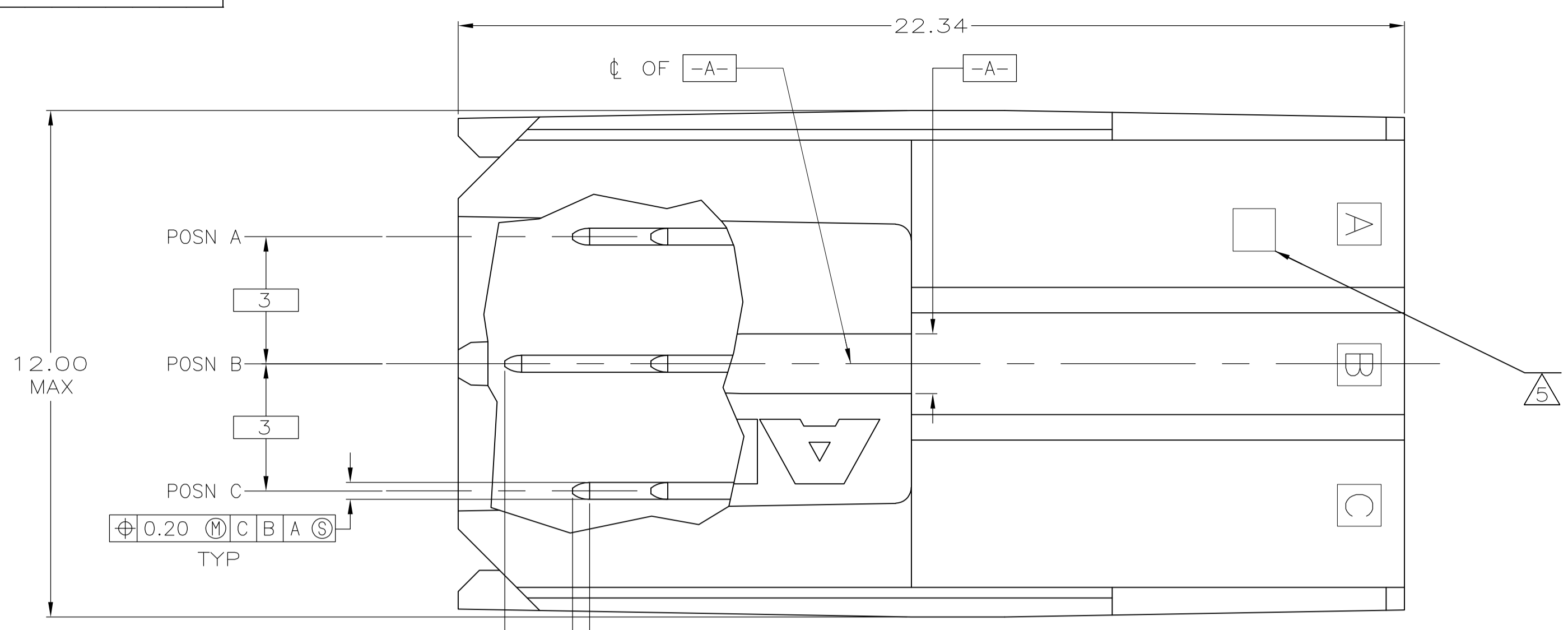
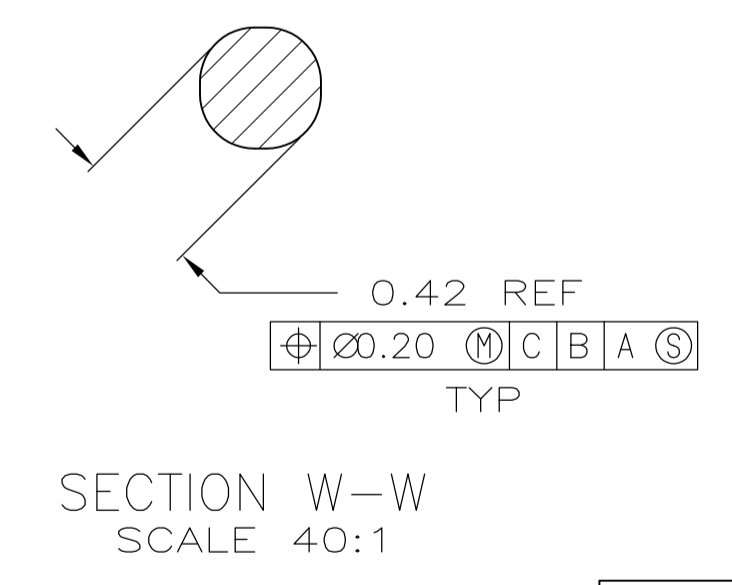
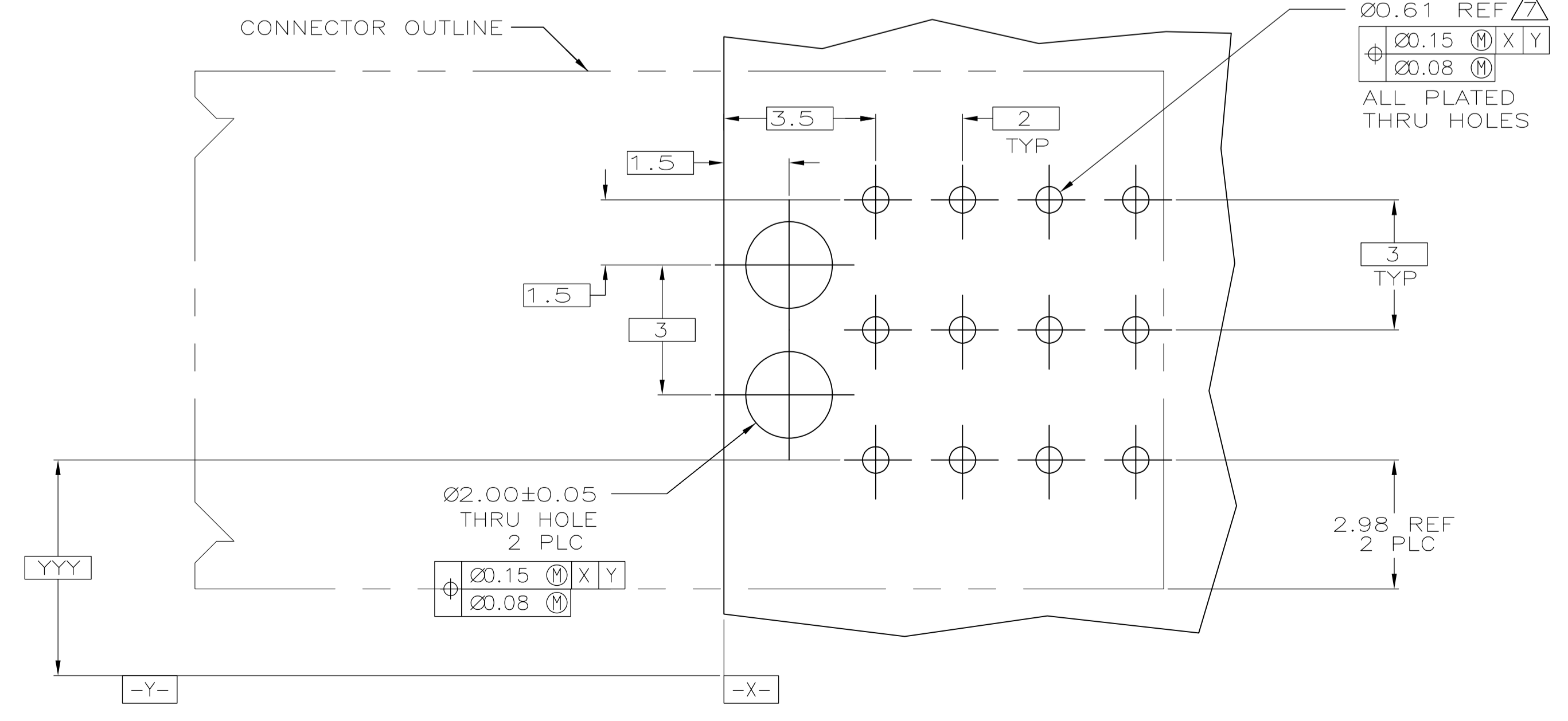
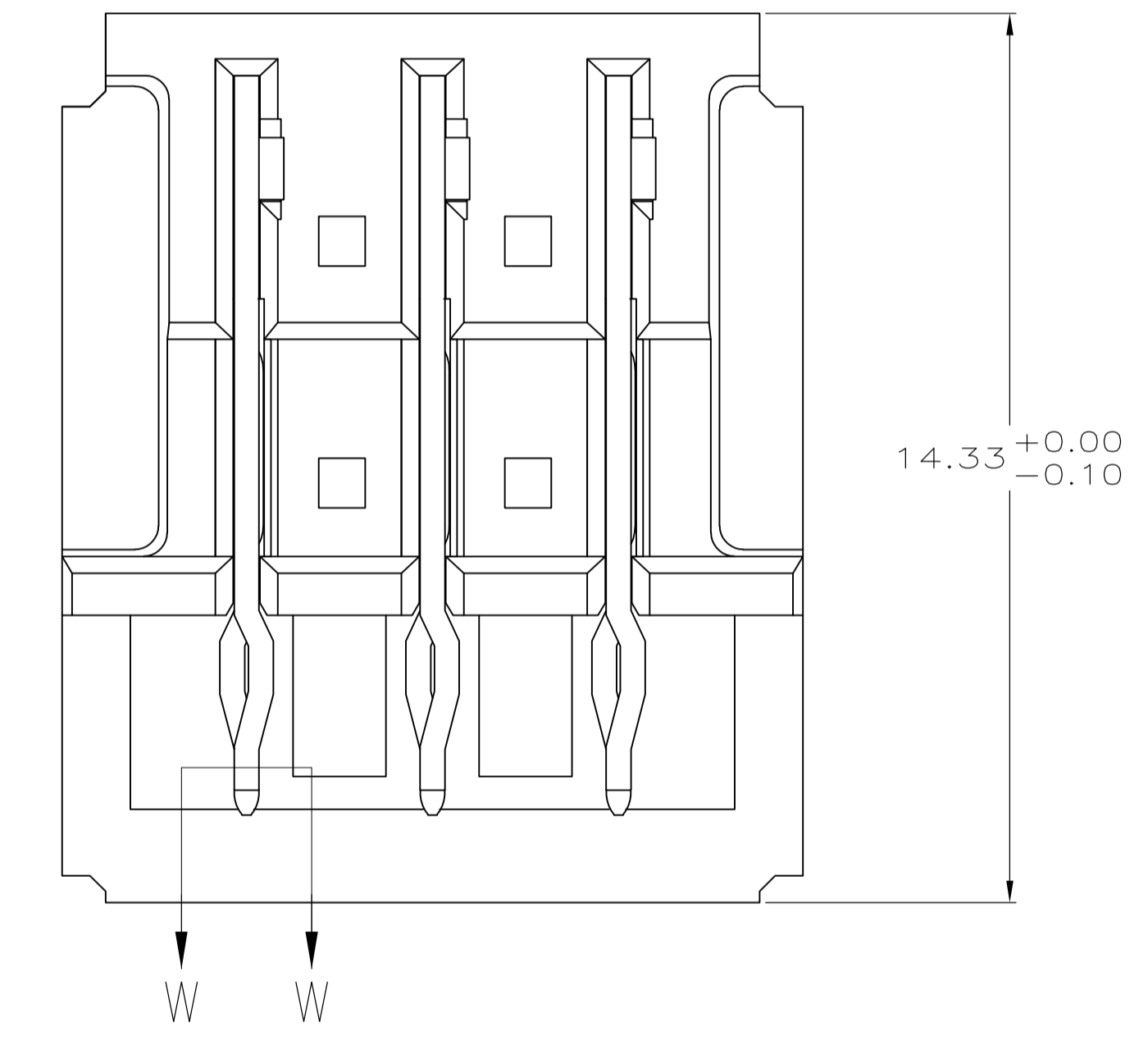
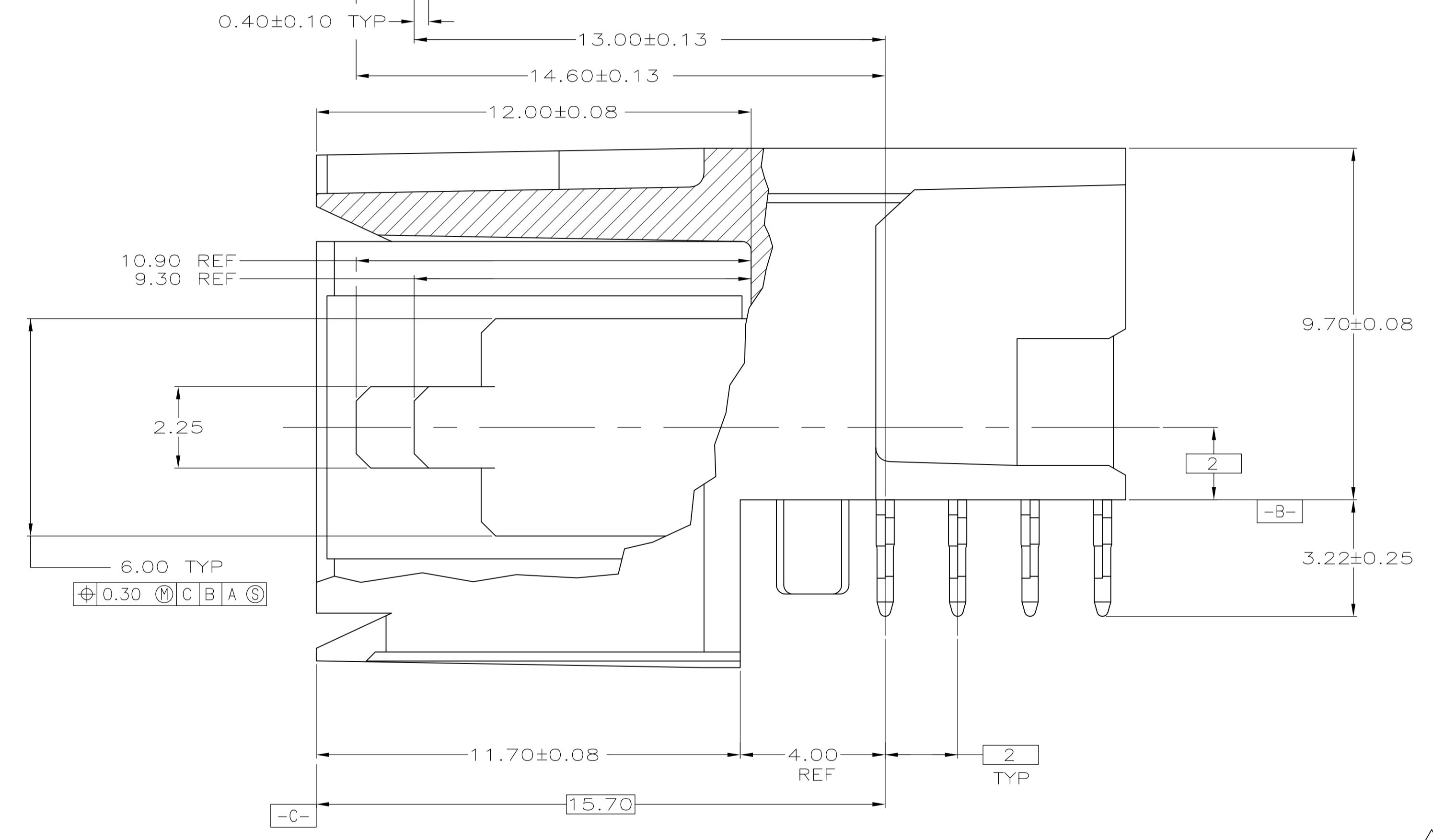
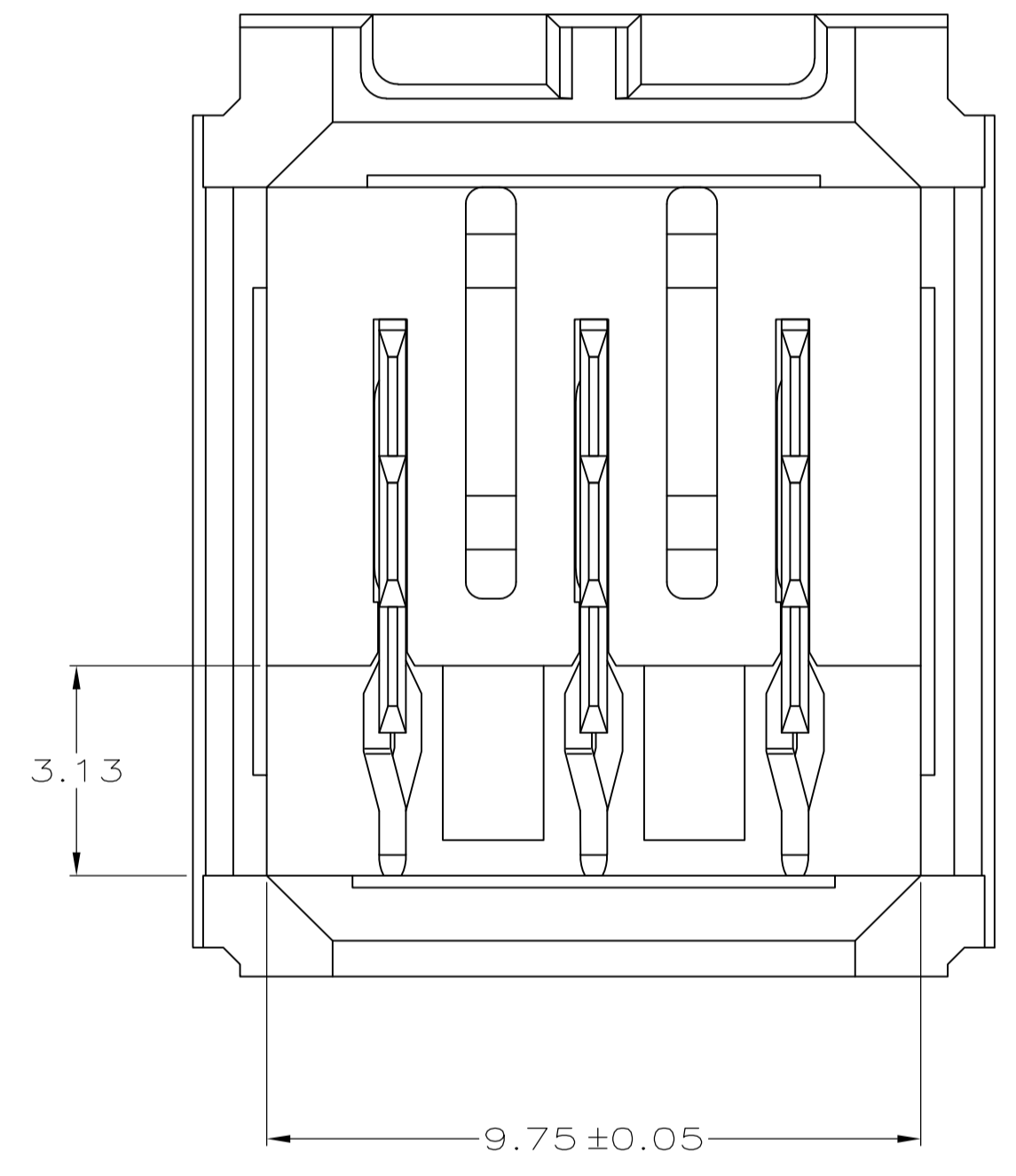


LOC		DIST		REVISIONS			
AD	00	REV	DATE	BY	CHK	APPV	
K2		REVISED PER ECO-07-021880	17SEP07	DH	RP		



- 1 MATERIAL: HOUSING: POLYESTER, COLOR; GRAY. UL 94V-0. CONTACT: PHOSPHOR BRONZE.
- 2 FINISH: CONTACT MATING AREA: 1.27µm MIN GOLD OR 0.08µm MIN GOLD OVER 0.76µm MIN PALLADIUM-NICKEL, ACTION PIN AREA: 0.5µm MIN TIN LEAD PLATE, ALL OVER 1.27µm MIN NICKEL UNDERPLATE.
- 3 FINISH: CONTACT LUBRICATION WITH BELLCORE APPROVED LUBRICANT, TECHNICAL REFERENCE: TR-NWT-001217 ISSUE 1, SEPT 1992.
- 4 MATERIAL: HOUSING: LCP; COLOR, BLUE. UL 94V-0. CONTACT: PHOSPHOR BRONZE.
- 5 NUMBER "2" MARKED IN THIS AREA.
- 6 RESTRICTED PART NUMEBR, CONTACT ENGINEERING
- 7 REFERENCE APPLICATION SPEC 114-1103 FOR RECOMMENDED PLATED THRU HOLE DIAMETER AND PLATING THICKNESSES.
- 8. CURRENT RATING 10A/CONTACT PER PRODUCT SPEC 108-1651.



REVISIONS	PART NUMBER
6	223963-8
1, 2, 3, 4, 5	223963-7
2, 3, 4	223963-3
1, 2, 3	223963-1
FINISH	PART NUMBER

THIS DRAWING IS A CONTROLLED DOCUMENT.

DIMENSIONS:	TOLERANCES UNLESS OTHERWISE SPECIFIED:	DIN R. BUCHHEISTER 07/MAR/96	Tyco Electronics Corporation Harrisburg, PA 17105-3608
mm	0 PLC ± -	CHK N. NORRIS 08/MAR/96	NAME ASSEMBLY, RIGHT ANGLE HEADER, W/ RETENTION PEGS, UNIVERSAL POWER MODULE
	1 PLC ± ±	APPRO D. SINISI 08/MAR/96	SIZE A1
	2 PLC ± ± 0.13	PRODUCT SPEC	SCALE 10:1
	3 PLC ± ± 0.13	APPLICATION SPEC	SHEET 1 of 1
	4 PLC ± ±	WEIGHT	REV K2
	ANGLES ± ±	CUSTOMER DRAWING	

RECOMMENDED PCB HOLE LAYOUT